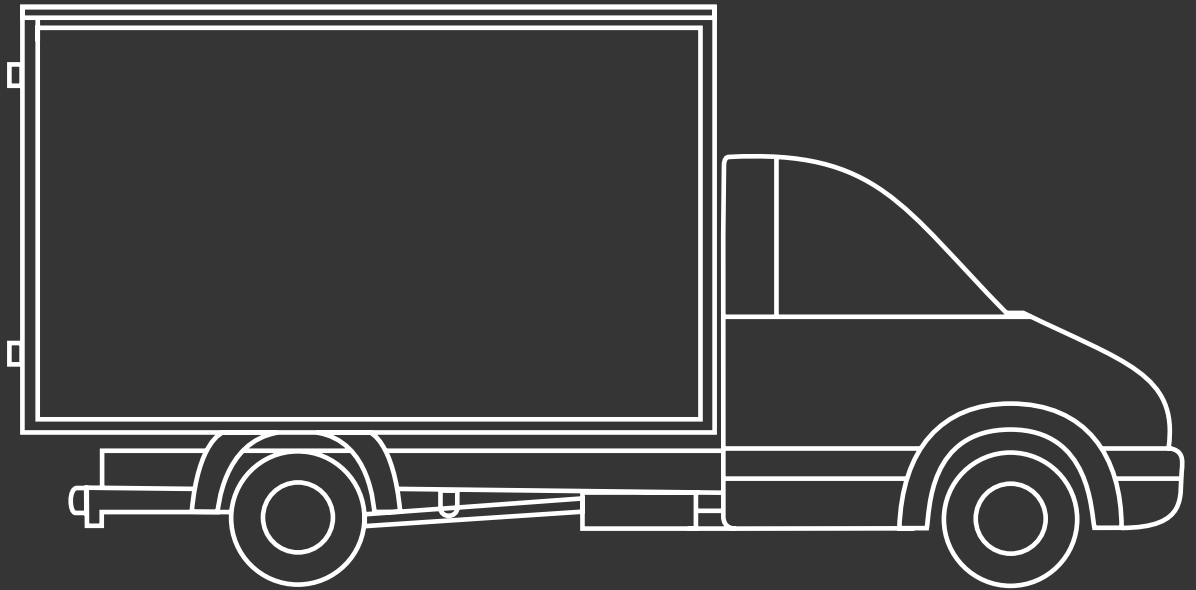


TGSL



LIGHTWEIGHT BOX BODY FOR VAN CHASSIS

FROM 3.5 T TO 5,0 T

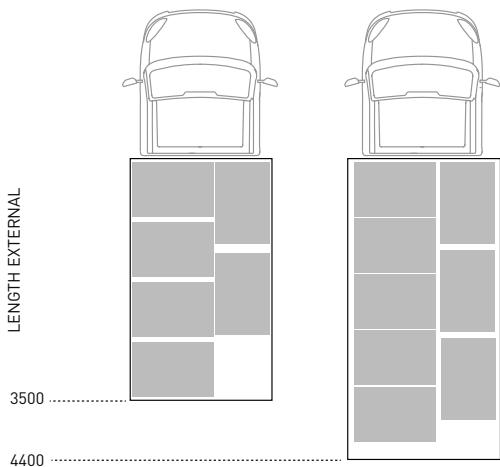
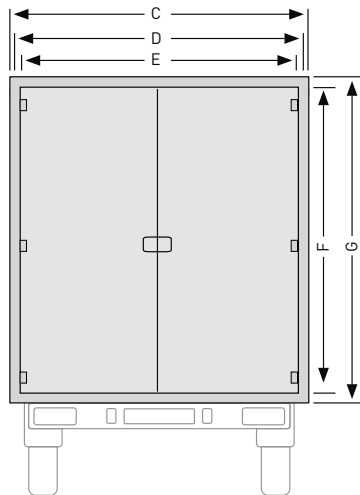
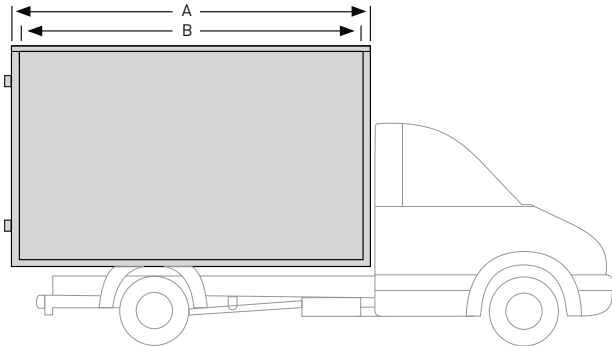
VW CRAFTER

SOMMER[®]

EINFACH **SICHER** TRANSPORTIEREN.

TECHNICAL DATA

Chassis: VW Crafter
 Wheel base: 3665 mm, 4325 mm
 Perm. total weight: 3500 kg, 5000 kg



EURO PALETTES

TGL03-3,5
 TGSL03-3,5

TGL03-4,4
 TGSL03-4,4
 TGL05-4,4

Permissible total vehicle weight		3,5 t	
Design	TGSL03-3,5	TGSL03-4,4	
Wheel base in mm	3665	4325	
Floor thickness in mm (special equipment)	15 (18)	15 (18)	
Wall thickness 17 mm PE	PE	PE	
Weight com. with 1x type 6 approx.	429 kg	469 kg	
A. Length external	3500 mm	4400 mm	
B. Length internal at door	3417 mm	4317 mm	
Length internal at tail-lift	3450 mm	4350 mm	
Length internal at roll-up door	3357 mm	4280 mm	
C. Width external	2100 mm	2100 mm	
D. Width internal between the walls	2050 mm	2050 mm	
E. Clear width rear door (door/top edge)	1970 mm	1970 mm	
Clear width rear door (roll-up door)	1872 mm	1872 mm	
F. Height internal	2200 mm	2200 mm	
Clear height rear door (door/top edge)	2150 mm	2150 mm	
Clear height rear door (roll-up door)	2020 mm	2020 mm	
G. Height external from top edge of vehicle l-beam	2485 mm	2485 mm	

Permissible total vehicle weight		3,5 t	
Design	TGSL03-3,5	TGSL03-4,4	
Wheel base in mm	3665	4325	
Floor thickness in mm (special equipment)	15 (18)	15 (18)	
Wall thickness 17 mm PE/PN	PE	PE	
Weight com. with 1x type 6 steel approx.	495 kg	550 kg	
A. Length external	3500 mm	4400 mm	
B. Length internal at door	3417 mm	4317 mm	
Length internal at tail-lift	3450 mm	4350 mm	
Length internal at roll-up door	3357 mm	4280 mm	
C. Width external	2100 mm	2100 mm	
D. Width internal between the walls	2050 mm	2050 mm	
E. Clear width rear door (door/top edge)	1970 mm	1970 mm	
Clear width rear door (roll-up door)	1872 mm	1872 mm	
F. Height internal	2200 mm	2200 mm	
Clear height rear door (door/top edge)	2150 mm	2150 mm	
Clear height rear door (roll-up door)	2020 mm	2020 mm	
G. Height external from top edge of vehicle l-beam	2485 mm	2485 mm	

Permissible total vehicle weight		5,0 t	
Design	TGSL05-4,4	TGSL05-4,4	
Wheel base in mm	4325	4325	
Floor thickness in mm (special equipment)	15 (18)	21 (24)	
Wall thickness 17 mm PE/PN	PE	PE	
Weight com. with 1x type 6 steel approx.	570 kg	610 kg	
A. Length external	4400 mm	4400 mm	
B. Length internal at door	4317 mm	4317 mm	
Length internal at tail-lift	4350 mm	4350 mm	
Length internal at roll-up door	4280 mm	4280 mm	
C. Width external	2100 mm	2100 mm	
D. Width internal between the walls	2050 mm	2050 mm	
E. Clear width rear door (door/top edge)	1970 mm	1970 mm	
Clear width rear door (roll-up door)	1872 mm	1872 mm	
F. Height internal	2200 mm	2300 mm	
Clear height rear door (door/top edge)	2150 mm	2250 mm	
Clear height rear door (roll-up door)	2020 mm	2120 mm	
G. Height external from top edge of vehicle l-beam	2485 mm	2591 mm	

STANDARD SCOPE OF DELIVERY



The **SOMMER TGL and TGSL** lightweight box body features a well-engineered design, top-quality material and best production quality.

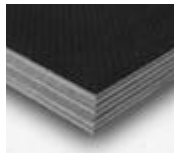
Furthermore, the payload-optimised box body for transporter chassis comes with top practical equipment as standard: stable, corrosion-resistant sub-structure, interior lighting, cargo control track to secure loads and much more.

See for yourself:



Sub-structure

- TGL: made of steel profiles in lightweight design, galvanised
- TGSL: made of aluminium profiles



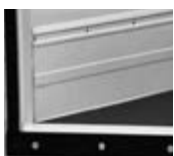
Floor

- approx. 15 mm or 21 mm multi-layered panel floor of birch with rough finish



Body

- Front and side wall panel in 17-mm special plastic version
- Corner posts at front and border profiles on floor made of powder-coated aluminium
- Roof profiles powder-coated with GRP membrane
- Stable, powder-coated rear door frame
- Two rubber bumpers
- Stainless steel espagnolettes
- Extendable access ladder
- Aluminium safety strips inside at bottom



Cargo control

- One row of lashing rails type 6 in steel (TGL) or aluminium (TGSL) on the side wall left and right



Paintwork

- Body single-colour in RAL 9010
- Any colour possible on customer request



Electrics

- Take over of the lighting equipment of the vehicle manufacturer
- Inner spotlight at top right in the rear

Inspection

- Technical individual approval in accordance with § 21 StVZO, including expertise (for registration in Germany)

SPECIAL EQUIPMENT

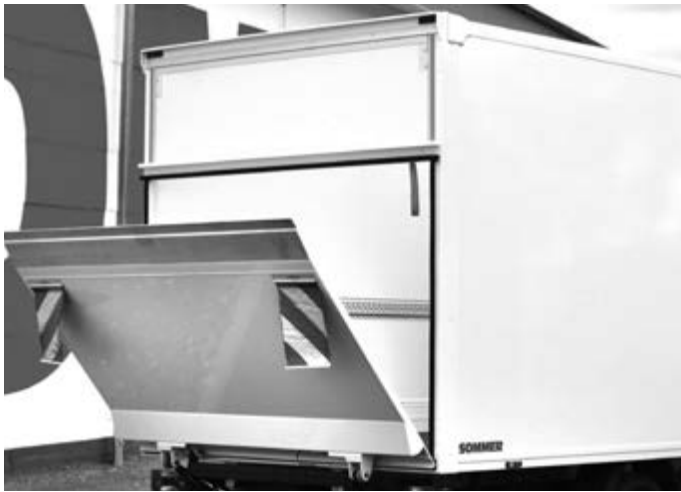


You'd like more features? Or improved aerodynamics? Customise the **SOMMER TG** for your specific application! We offer a range of different fittings and complementary features. From the tail-lift to the roof spoiler to the patented cargo control system SALS®.

See for yourself:

- Supply and fitting of a tail-lift
- Fitting of a supplied tail-lift
- Grab handle on the rear frame at the rear on the right
- Spare wheel holder
- Side underrun guards
- Mudguard with flaps
- Extended frame overhang (only WITH NO trailer operation)
- Box body SALS (SOMMER cargo control system with adapters)
- Body side door right
- Removal van staircase
- Vertical bumper right and left underneath on the rear frame
- Additional lashing rail (type 6) for front and side wall
- Additional rod-type lashing rails (aluminium), fitted
- Tail-lift switch in driver's cab
- LED-Interior spotlight at rear, controlled by motion detector
- Side positioning lights
- Contour marking (partial white marking along the sides – full red marking at the rear)
- Night warning signs
- Roof spoiler
- Front wall reinforcement (9 mm sandwich panel)
- Load sensing setting and EC tachograph system

TAIL-LIFTS



We can also supply the **SOMMER TG** on request with suitable ready-to-use tail-lifts. We offer a choice of various models from the most important suppliers with load capacities of 750 kg or 1,000 kg.

DHOLLANDIA

Design	DH-LM A	DH-LMQ
Load capacity	750 kg	1000 kg
Cylinder	4	4
Platform height	1600 mm	1800
Platform width	2200 mm	2520 mm
Weight	265 kg	265 kg
Roll-off protection 1RB		optional
Roll-off protection 2RB		optional
Mechanical support		optional

DAUTEL

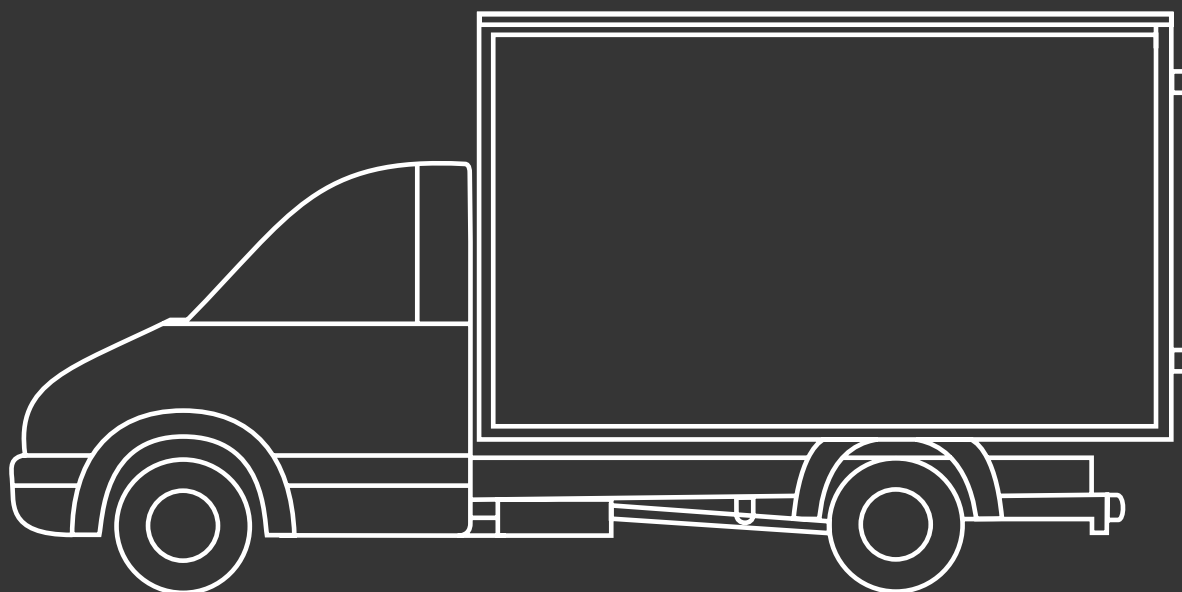
Design	Lifter DL 750A	Lifter DL 750B
Load capacity	750 kg	750 kg
Cylinder	4	4
Platform height	1605 mm	1605 mm
Platform width	2200 mm	2520 mm
Weight	235 kg	255 kg
Roll-off protection 1RB		optional
Roll-off protection 2RB		optional
Mechanical support		-

BÄR

Design	BC 750A2L-R3	BC 1000S2-M4	BC 1000S4-M4
Load capacity	750 kg	1000 kg	1000 kg
Cylinder	2	2	4
Platform height	1610 mm	1810 mm	1810 mm
Platform width	2200-2520 mm	2520 mm	2520 mm
Weight	215 kg	325 kg	365 kg
Roll-off protection 1RB		-	
Roll-off protection 2RB		optional	
Mechanical support		optional	

SÖRENSEN

Design	X1A 0500/0750SL	X1A 1000SL	X4A 1000SL
Load capacity	500/750 kg	1000 kg	1000 kg
Cylinder	2	2	4
Platform height	1600 mm	1800 mm	1800 mm
Platform width	2180 mm	2520 mm	2520 mm
Weight	180/200 kg	250 kg	270 kg
Roll-off protection 1RB		-	
Roll-off protection 2RB		serie	
Mechanical support		optional	



SOMMER®

SOMMER GMBH

Kleine Ziegelohstraße 8
D-06636 Laucha/Germany

Phone +49 (0)34462 580-0

Fax +49 (0)34462 580-71

info@sommer-online.de

www.sommer-online.de

Stand 10/2013. We reserve the right to alter the design and equipment; errors excepted. All specifications without guarantee. Vehicles featured in the images may be equipped with special equipment. Any decoration shown is not included in the scope of delivery.